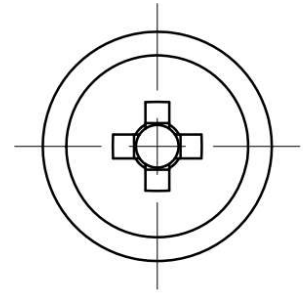
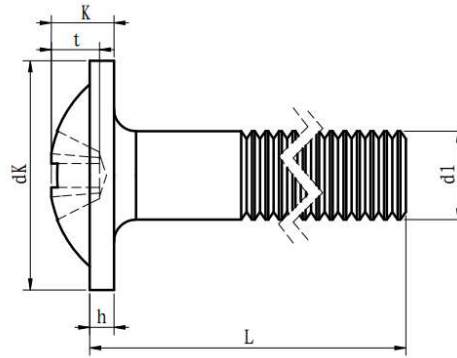


DIN 967 PHILLIPS PAN HEAD WITH COLLAR MACHINE SCREW



DIN 967 (1990) PHILLIPS PAN HEAD WITH COLLAR MACHINE SCREWS / 十字盘头凸缘螺钉

Size 尺寸		M3	(M3.5)	M4	M5	M6	M8	
Diameter (d1) 螺纹大径	min	2.874	3.354	3.838	4.826	5.794	7.760	
	max	2.980	3.479	3.987	4.976	5.974	7.972	
Head Diameter (dk) 头部直径	min	6.92	8.42	9.42	10.80	13.80	18.16	
	max	7.50	9.00	10.00	11.50	14.50	19.00	
Head Height (k) 头部高度	min	2.10	2.35	2.75	3.25	4.25	5.60	
	max	2.35	2.60	3.05	3.55	4.55	5.90	
Collar height 凸缘高度	min	0.60	0.70	0.90	1.05	1.40	1.80	
	max	0.80	0.90	1.10	1.35	1.80	2.20	
Cross Recess No. 十字槽号		1		2		3		4
Cross Recess Dept (t) Type H H型十字槽深	min	1.35	1.40	1.80	2.26	3.00	4.18	
	max	1.80	2.03	2.46	2.87	3.66	4.68	
m	≈	3.00	4.20	4.60	5.00	7.10	9.00	
Cross Recess Dept (t) Type Z Z型十字槽深	min	1.35	1.40	1.80	2.26	3.00	4.18	
	max	1.80	2.03	2.46	2.87	3.66	4.68	
m	≈	3.00	4.20	4.60	5.00	7.10	9.00	
Thread Pitch(p) 粗牙螺距		0.50	0.60	0.70	0.80	1.00	1.25	

LENGHT

Length (mm)	Tolerance	M2	M2.5	M3	M3.5	M4	M5	M6	M8
3	±0.2	M2x3	M2.5x3						
4	±0.24	M2x4	M2.5x4	M3x4					
5	±0.24	M2x5	M2.5x5	M3x5	M3.5x5	M4x5			
6	±0.24	M2x6	M2.5x6	M3x6	M3.5x6	M4x6	M5x6		
8	±0.29	M2x8	M2.5x8	M3x8	M3.5x8	M4x8	M5x8	M6x8	M8x8
10	±0.29	M2x10	M2.5x10	M3x10	M3.5x10	M4x10	M5x10	M6x10	M8x10
12	±0.35	M2x12	M2.5x12	M3x12	M3.5x12	M4x12	M5x12	M6x12	M8x12
(14)	±0.35	M2x3	M2.5x3	M3x14	M3.5x14	M4x14	M5x14	M6x14	M8x14
16	±0.35	M2x14	M2.5x14	M3x16	M3.5x16	M4x16	M5x16	M6x16	M8x16
(18)	±0.35	M2x18	M2.5x18	M3x18	M3.5x18	M4x18	M5x18	M6x18	M8x18
20	±0.42		M2.5x20	M3x20	M3.5x20	M4x20	M5x20	M6x20	M8x20
(22)	±0.42		M2.5x22	M3x22	M3.5x22	M4x22	M5x22	M6x22	M8x22
25	±0.42		M2.5x25	M3x25	M3.5x25	M4x25	M5x25	M6x25	M8x25
(28)	±0.42			M3x28	M3.5x28	M4x28	M5x28	M6x28	M8x28
30	±0.42			M3x30	M3.5x30	M4x30	M5x30	M6x30	M8x30
35	±0.50			M3x35	M3.5x35	M4x35	M5x35	M6x35	M8x35
40	±0.50					M4x40	M5x40	M6x40	M8x40
45	±0.50						M5x45	M6x45	M8x45
50	±0.50						M5x50	M6x50	M8x50
(55)	±0.95							M6x55	M8x55
60	±0.95							M6x60	M8x60
65	±0.95								M8x65
70	±0.95								M8x70
(75)	±0.95								M8x75
80	±0.95								M8x80

The screws' length less than 40mm are full thread; over than 40mm, the thread need be confrimed with Asuda sal es.

Material List
Stainless Steel

China	European	American	Propety Class
667 (Low Nickle Stainless steel)	---	---	---
304	A2 (1.4303)	AISI 304	A2-70
306	A4 (1.4401)	AISI 201	A4-70

Carbon Steel and Alloy steel

China	European	American	Propety Class
Q235A(A3)	C35E(CK35)	AISI 1015	4.8
35#	37Cr4	AISI 1035	8.8
40Cr	41Cr4	AISI 5140	10.9
35CrMo	34CrMo4	AISI 4135	12.9

Copper

China	European	American	Propety Class
H62	CuZn40	ASTM C28000	---

Important Notice:

- 1, All of the above material code is only for reference, the final product material should be confirmed by communicate with ASUDA sales
- 2, If Chinese material standard is different from buyer's standard please refer to Chinese standard or supplier's standard

CONTACT INFORMATION

Contact Person	Tony.Wang (Manager of Export Business)
Email	tony@asuda.com.cn
Phone	0086-577-86199789
Mobile	0086-13736999187
WeChat	xyzwxf
Whatsapp	0086-13736999187
Address	Room 904,Building 2, Xin Jingdu Garden, Sanyang Town, Ou Hai District,



	Wenzhou, Zhejiang, China 325000
FAQ	
OEM Service	Acceptable
MOQ	ORDER: 50 000 PCS PER ITEM STOCK: 1 BOX (Delivery cost by buyer)
Payment Term	T/T 30% before producing and 70% against B/L copy L/C at sight
Delivery Term	1 week for stockt products 30 days for order after received the 30% payment or L/C confirmed
Trade Term	FOB / CIF
Fob Sea Port	Ningbo / Shanghai
If the above information does not include the information you want please contact ASUDA sale	